



EP

Ecopremium

remanufactured toner cartridge

Ecopremium is a product of the highest quality, subjected to rigorous testing, guarantees color quality, yield and a total respect for the environment.

THE REAL ALTERNATIVE TO THE ORIGINAL

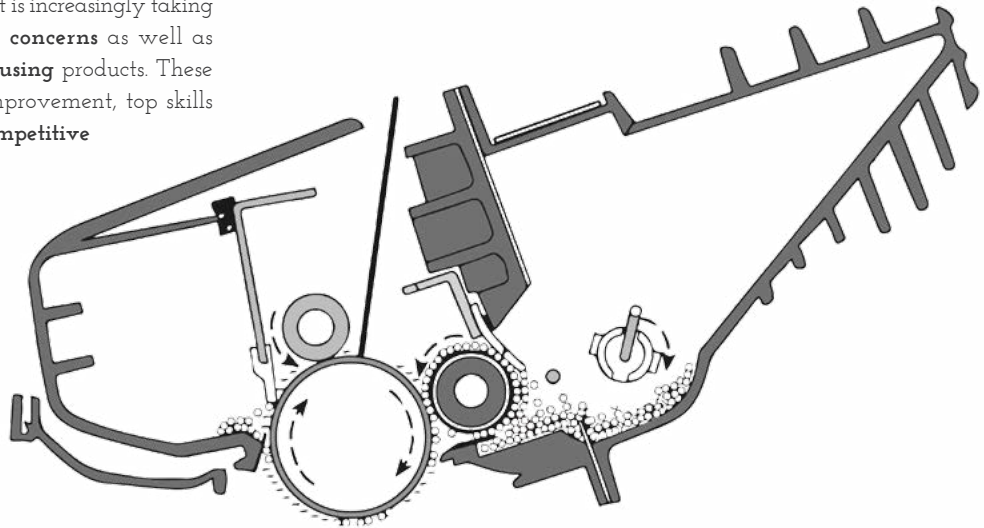
 **ECOSERVICE**  
Ink-Jet and Toner Cartridges

# REASONS BEHIND <sup>ECO</sup> PREMIUM

The **EcoPremium product line** has been developed by EcoService to answer market's deep change.

Recently toner cartridge market is increasingly taking into account **environmental concerns** as well as the issues of **recycling** and **reusing** products. These challenges require quality improvement, top skills and better **performances at competitive prices**.

The remanufactured **EcoPremium** toner is the best value alternative to original cartridges, without compromising performance and reliability.



high quality  
remanufactured  
toner cartridge



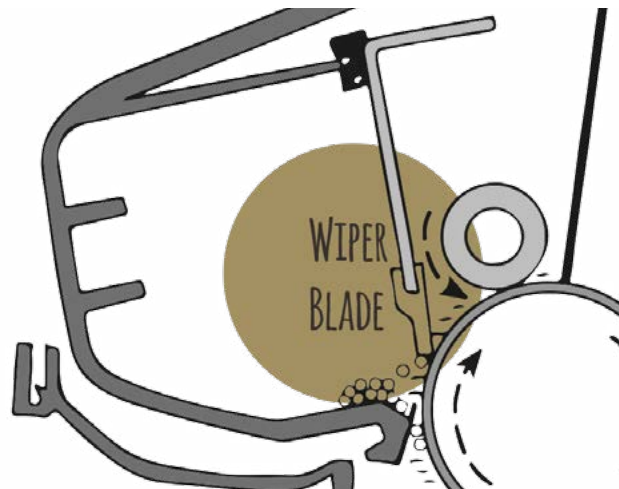
## PREMIUM QUALITY

01. **100% remanufactured toners**  
*EcoPremium toners are produced by replacing all internal components to offer a completely new product.*
02. **Tailored Production**  
*EcoPremium toners guarantee: best match between toner powder and drum; the real yield pages as the OEM; analysis of the print quality on the full cartridge life cycle.*
03. **Nordic Swan Ecolabel**  
*We obtained the Nordic Swan certification for about 500 EcoPremium toners. The Nordic Ecolabel is a **world leader eco-label** having rigorous environmental and climate criteria.*



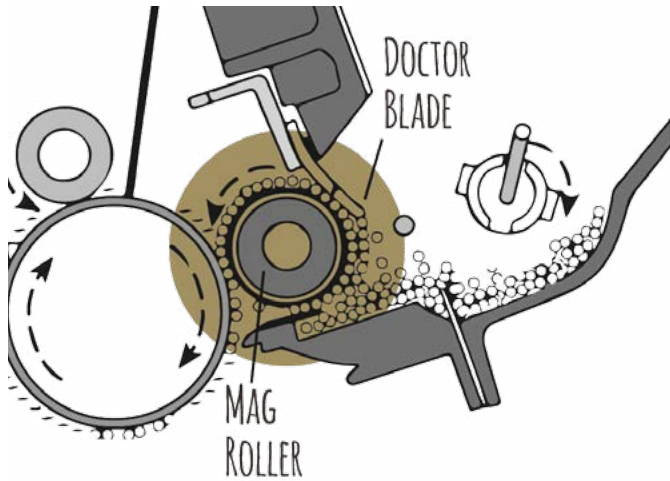
## DRUM

The **Drum** (photoconductor) transfers the image to paper through the laser beam. It is the component most damaged by the use. For this reason the Drum is always replaced in the **EcoPremium products line**. Moreover, since the Drum quality is the most reliable way to ensure the overall cartridge quality, EcoService only uses new Drums to guarantee the same performance like the original.



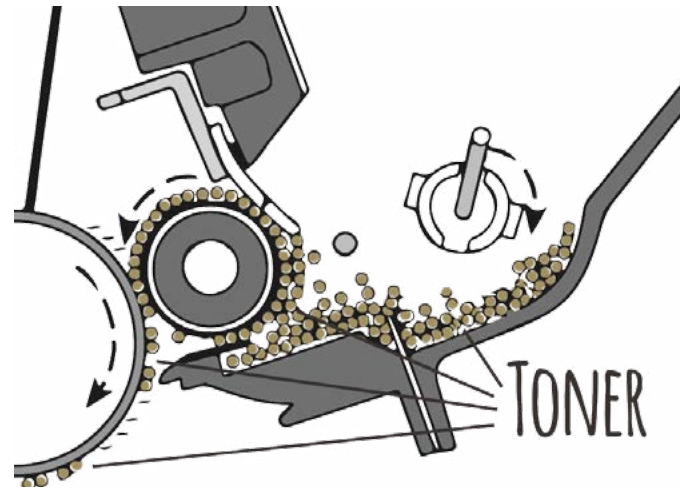
## WIPER BLADE

The **Wiper Blade** (the cleaning blade of any remaining toner powder from the Drum) is subject to deterioration and it is always replaced in **Ecopremium toner cartridges**. Any defect in the cleaning can result in cartridge failure. At EcoService we always choose quality components in order to produce a successful and quality remanufactured cartridge.



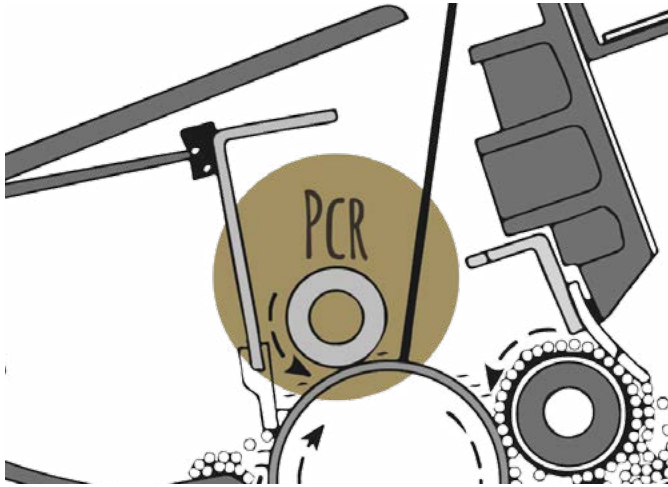
## MAG ROLLER & DOCTOR BLADE

The replacement of the **Magnetic Roller** (Mag Roller) allows the cartridge to get the correct amount of toner powder to guarantee the best image density, like the original cartridges. **Doctor Blade** is one additional component we replace for **EcoPremium toner cartridges**; namely it is the blade that control the amount of toner taken from the Mag Roller and transported to the Drum. If the Doctor Blade does not perfectly work, the cartridge performance may be affected.



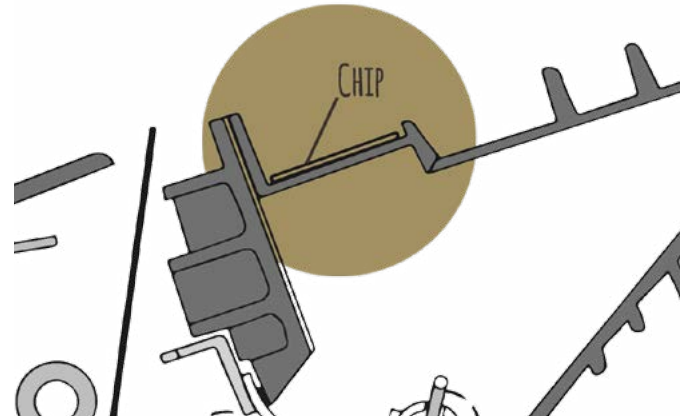
## TONER POWDER

Key part in the remanufacturing process is the refilling of the OEM virgin empties with **toner powder**. The powder used for the **EcoPremium toner cartridges** is certified and purchased from the best suppliers in the world market. Moreover the powder is tested to technically match the OPCs (Drum) for optimal yields and printer performance.



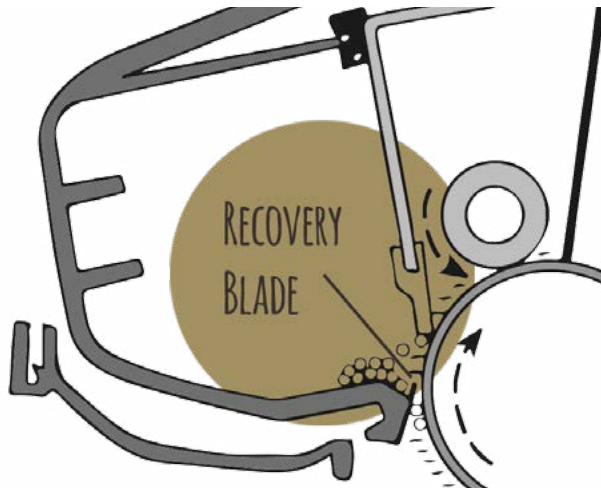
## PCR

The PCR has the aim to give an electronegative charge to the surface of the Drum and is replaced to facilitate the smooth transfer of the toner powder to the printed page.



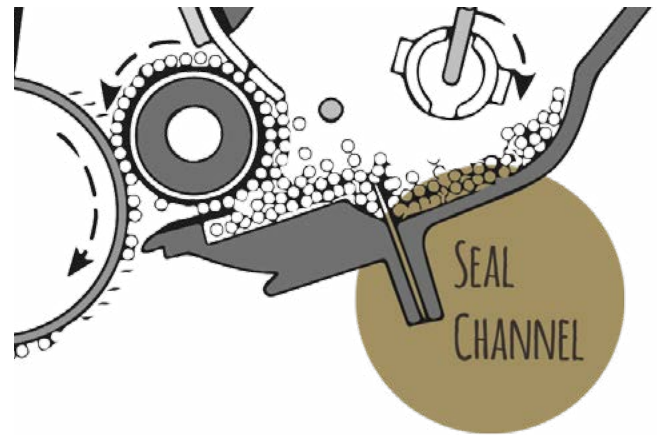
## CHIP

It is the **electronic component** having the integrated circuit; it allows the information exchange between the printer and the cartridge. It contains the information about the number of pages that the cartridge can print. Its replacement is very important; it allows the cartridge use program to reset.



## RECOVERY BLADE

This is an **adhesive film** preventing leakage of toner powder. It is a component that tends to deteriorate because of heat during the printing process. In **EcoPremium toner cartridges** this blade is always new.



## SEAL

It is an **adhesive protection** placed on a toner tank specific channel. It avoids leakage of the powder after the regeneration process. The **Seal** is always present on **EcoPremium toner cartridges** to offer the maximum efficiency against the leakage of dust.



## A PRESTIGIOUS PACKAGING

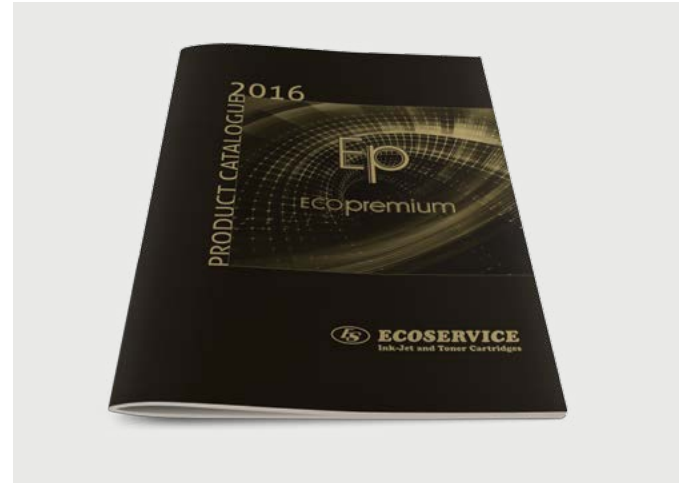
EcoPremium range presents a stylish and sophisticated packaging. Designed for **durability**, **space optimization** and **efficiency against tampering**. The cartridge horizontal positioning greatly reduces the possibility of accidental damage during transport. EcoPremium cartridges are tested for quality and duration according to ISO IEC 19752, 19798 and STMC. Each cartridge can be supplied with a **Material Safety Data Sheet** (in which we indicate the origin of the materials used for regeneration) and **Technical Specifications** (which summarizes the basic features of the cartridge, such as print capacity, compatibility with printer devices, replaced parts, etc.).





## 20-YEARS' EXPERIENCE

Thanks to our production structure and empty availability we can quickly meet customer requests, offering new and consolidated products. Upon request we can offer both a **products stock service** that can meet handling customer needs and the "drop shipping" service to optimize delivery times.



## A WIDE CATALOG

**EcoPremium catalog** offers more than **1,300 codes** of the main brands: *Brother, Canon, Dell, Epson, Hewlett Packard, IBM, Infotec, Kyocera, Lanier, Lexmark, Mann. Tally, Minolta, Nashuatec, Oki, Olivetti, Panasonic, Philips, Ricoh, Samsung, Telecom, Xerox.* About **30% of EcoPremium codes** has the **Nordic Swan certification**, an additional guarantee of environmental criteria compliance.



# ECOSERVICE

Since 1996 we have been producing remanufactured cartridges for all printers types.

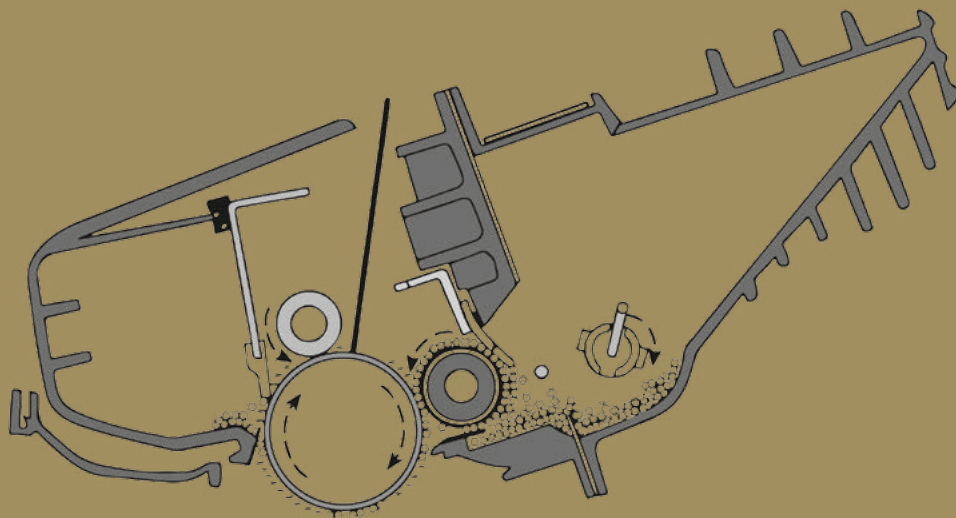
Over the years we have reached an industrial dimension and covered an international market.

The production process takes place within the company; it offers better control on production phases and high quality products. Each cartridge is disassembled, checked and cleaned. We replace worn parts, reassemble and reload toner powder.

People knowing **remanufacturing process** are aware that the efficiently regeneration is a complex process.

The remanufacturing business is a difficult task requiring skilled and flexible organization to meet heterogeneity and models variety on the market.

Key elements to reach successful results are the quality of raw materials, technologies applied and the **experience** and **passion of people working** at EcoService.



# ECOPREMIUM

EcoPremium is a product from EcoService di Santarelli Paolo • Via Diego Pettinelli 19/21 • 62024 • Matelica (MC) • Italy  
Tel. +39.0737.787688 • Fax +39.0737.85199 • [info@es-ecoservice.it](mailto:info@es-ecoservice.it) • [www.es-ecoservice.it](http://www.es-ecoservice.it) • VAT N. ITO1242120452